



SY215C

Hydraulic Excavator



KEY FEATURES

- Equipped with a powerful and efficient Cummins QSB6.7 Tier 4 engine with an intelligent hydraulic system to match engine response
- X-beam design uses a high strength box-section structure for maximum durability and excellent torsion-resistant performance
- Two-way auxiliary hydraulics are standard

Total Weight

24,150 Kg - 53,242 lb

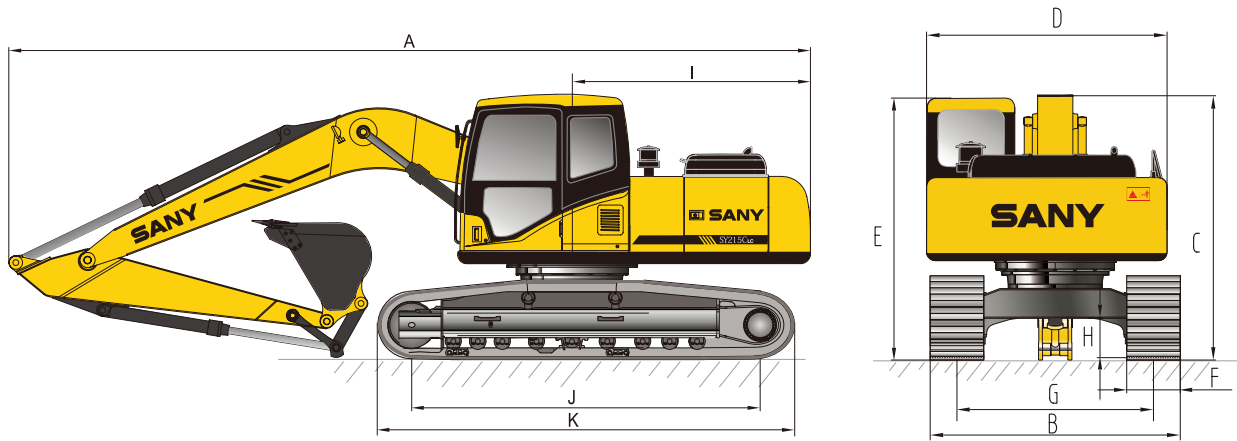
Rated Power

118 kW/2,000 rpm -
158 hp/2,000 rpm

Bucket Digging Force

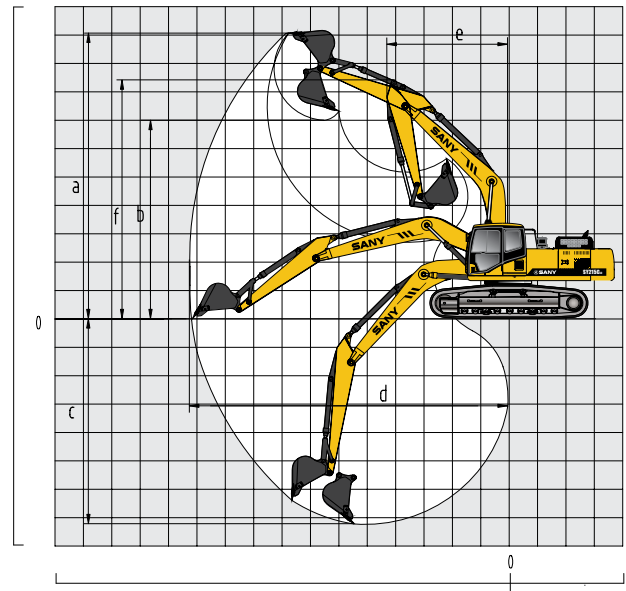
103 kN - 23,155 lb

SY215C Dimensions & Specifications



OVERALL DIMENSIONS

	Standard	Metric
A Transport Length	31' 11"	9728 mm
B Transport Width	10' 5"	3180 mm
C Transport Height	11' 1"	3370 mm
D Upper Structure Width	8' 11"	2710 mm
E Cab Height	10' 0"	3050 mm
F Track Shoe Width (standard)	2' 7"	800 mm
G Track Gauge	7' 10"	2380 mm
H Minimum Ground Clearance	1' 7"	480 mm
I Tail Swing Radius	9' 6"	2890 mm
J Length Center Idler to Center Sprocket	11' 11"	3640 mm
K Track Length	14' 7"	4450 mm
Boom Length	18' 8"	5700 mm
Arm Length (standard)	9' 7"	2925 mm



MACHINE PARAMETERS

Operating Weight	51,989 lb (23550 kg)
Engine Type	Cummins QSB6.7 T4 final
Engine Max Power (Gross)	168 hp (125 kW) @ 1900rpm
Engine Max Torque	540 lbf (732 Nm) @ 1500 rpm
Engine Displacement	408 in ³ (6.7 liter)
Main Pump Flow	2x 59 gpm (222 lpm)
Swing Speed	10.9 rpm
Travel Speed	1.9/3.3 mph (3.1/5.3 km/h)
Tractive Effort	40,466 lbf (180 kN)
Max Arm Digging Force (ISO)	23,155 lbf (103 kN)
Number of Upper Rollers	2
Number of Lower Rollers	9
Fuel Tank Capacity	90 gal (340 liter)
DEF Tank Capacity	5 gal (19 liter)
Hydraulic Tank Capacity	61 gal (230 liter)
Cooling System Capacity	7.3 gal (27.6 liter)
Engine Oil Capacity	7.13 gal (27 liter)
Ground Pressure (31.5"/800mm shoes)	5.3 psi (36.3 kPa)

WORKING RANGE

	Standard	Metric
A Maximum Digging Height	30' 1"	9180 mm
B Maximum Dumping Height	21' 10"	6670 mm
C Maximum Digging Depth	21' 8"	6600 mm
D Maximum Vertical Wall Digging Depth	19' 7"	5980 mm
E Maximum Digging Reach	33' 10"	10,307 mm
F Minimum Swing Radius	12' 2"	3730 mm
G Maximum Height at Minimum Swing Radius	25' 2"	7680 mm

SANY America Inc.

318 Cooper Circle | Peachtree City, GA 30269
T: 678-251-2810 | F: 770-632-7820

www.sanyamerica.com

