



SW405K

Wheel Loader



KEY FEATURES

- Fuel efficient Deutz T4F engine
- Developed for the US market. All structural components have undergone extensive durability testing.
- Standard features include: Ride Control, Hydraulic Reversing Fan, Front Axle Lock, Rear View Camera, Quick Coupler Control, Joystick Control

Total Weight

18,500 Kg - 40,785 lb

Bucket Capacity

3.2 m³ - 4.2 yd³

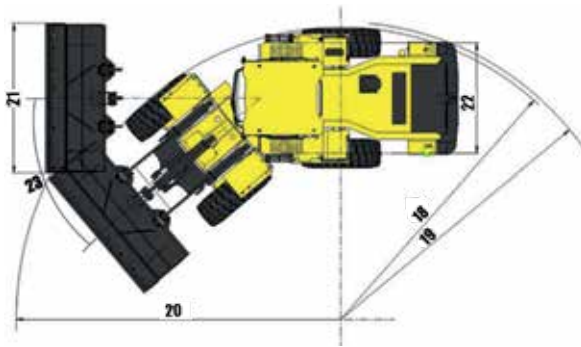
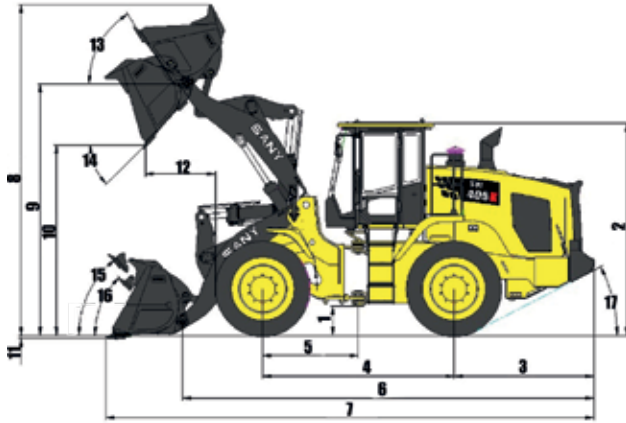
Maximum Power

195 kW/1,800 rpm -
261 hp/1,800 rpm

Bucket Digging Force

180 kN - 40,466 lb

SW405K Dimensions & Specifications



OVERALL DIMENSIONS

	Standard	Metric
1	Height to Axle Centerline	17" 440 mm
2	Height to Top of Cab	139" 3527 mm
3	Center Line or Rear Axle to Edge of Counterweight	92" 2330 mm
4	Wheelbase	10' 6" 3200 mm
5	Center Line of Front Axle to center pivot	63" 1600 mm
6	Shipping Length without Attachment	22' 6" 6862 mm
7	Shipping Length with Bucket	26' 8" 8142 mm
8	Max. Dump Height	17' 10" 5441 mm
9	Hinge Pin Height at Max. Lift	13' 6" 4133 mm
10	Dump Clearance at Max. Lift	10' 3" 3118 mm
11	Dig depth, level bucket	2.2" 56 mm
12	Reach at Max. Lift and 45° Discharge	45" 1140 mm
13	Rack Back at Max. Lift	58°
14	Dump Angle at Max. Lift and Dump	45°
15	Rack Back at Carry Height	51°
16	Rack Back at Ground	45°
17	Tail Angle to the rear wheel	27°
18	Clearance Circle to Outside of Tires	19' 5800 mm
19	Clearance Circle to Counterweight	19' 5" 5911 mm
20	Max. Circle	21' 2" 6456 mm
21	Width of the Bucket	9' 10" 3000 mm
22	Width	87" 2200 mm
23	Articulation Angle	+/- 40°

MACHINE PARAMETERS

Engine	Engine Model	Deutz TCD7.8
	Max Gross Power	262 hp
	Net Engine Power	252 hp
	Max Gross Torque	962 ft lbs
	Displacement	7.8 ltr
Operating	Bucket Capacity	4.0 cubic yards
	Breakout Force	36,500 lbs
	Tipping Load Straight	31,967 lbs
	Tipping Load @ full Turn	28,881 lbs
	Clearance (full lift 45° dump)	10' 2"
Reach (full lift 45° dump)	3' 10"	
Weight	Operating Weight	40,786 lbs
Hydraulic System	Pump Model	Implement - Kawasaki Steering - Eaton/Danfoss
	Max Flow	81 GPM
	Max Pressure	3916 PSI
Hydraulic Cycle Times	Raise	5.4 sec
	Dump	1.9 sec
	Float Down	3.3 sec
	Total Cycle Time	10.6 sec
Service Capacities	Fuel Tank	85 gal
	Cooling System	5.25 gal
	Engine Crankcase	6 gal
	Transmission	4.7 gal
	Front Axle	5 gal
	Rear Axle	5 gal
	Hydraulic Tank	31 gal
DEF Tank	10.5 gal	
Transmission	Shift Modes	Automatic, Manual, KD
	Forward Gear 1	4.4 mph
	Forward Gear 2	8 mph
	Forward Gear 3	16 mph
	Forward Gear 4	25 mph
	Reverse Gear 1	4.4 mph
	Reverse Gear 2	8 mph
Reverse Gear 3	16 mph	
Power Train	Front Axle	Fixed
	Traction Aid	Manual Differential Lock
	Rear Axle	Oscillating
	Traction Aid	Open differential
	Service Brakes	Wet Disk
Parking Brake	SAHR Disk Brake	

SANY America Inc.

318 Cooper Circle | Peachtree City, GA 30269
T: 678-251-2810 | F: 770-632-7820

www.sanyamerica.com

